

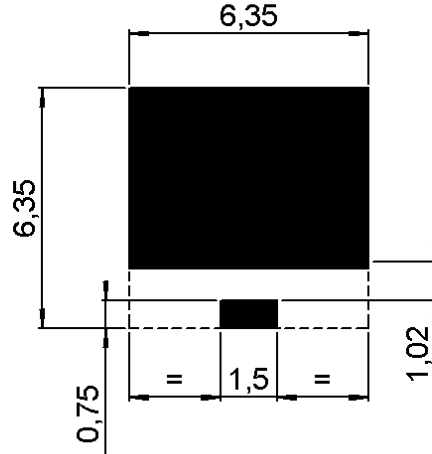
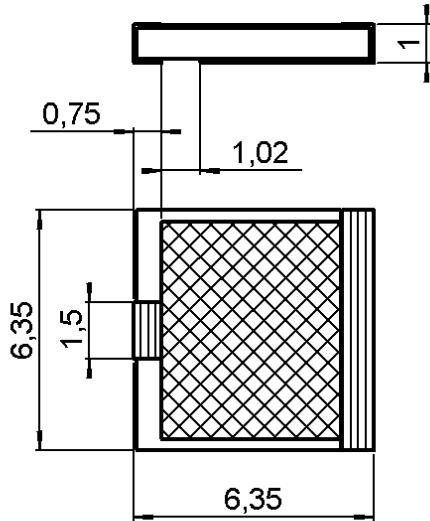
SMT TERMINATION (AL2O3)

DC - 4.4GHZ 10-30W TRUE SURFACE MOUNT

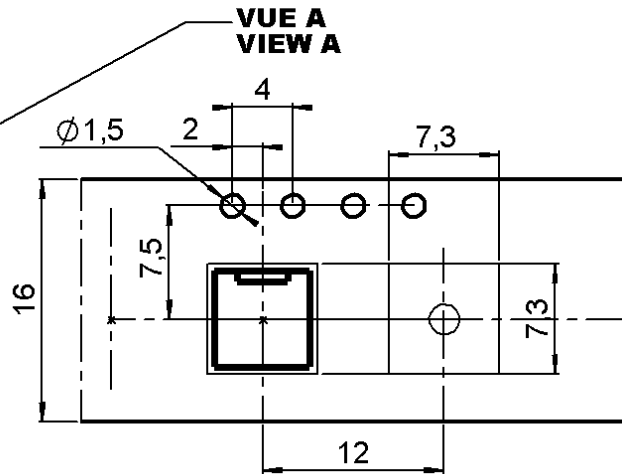
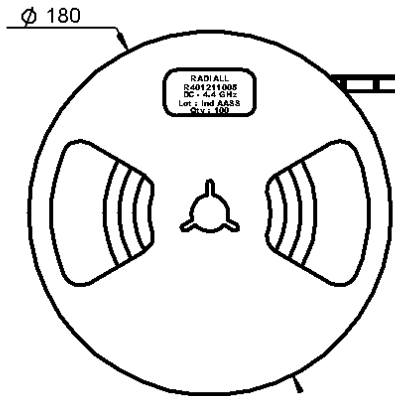
**R401.211.005**

Series :  
**TERMINATION**

SOLDERING PATTERN



\* **CONDITIONNEMENT PAR 100**  
**PACKAGING BY 100** \*



dimensions are in mm.



Weight 0,0000 g

Specification

Issue : 0524 A

In the effort to improve our products, we reserve the right to make changes judged to be necessary.



**SMT TERMINATION (AL2O3)**

**R401.211.005**

**DC - 4.4GHZ 10-30W TRUE SURFACE MOUNT**

Series :  
**TERMINATION**

**ELECTRICAL CHARACTERISTICS**

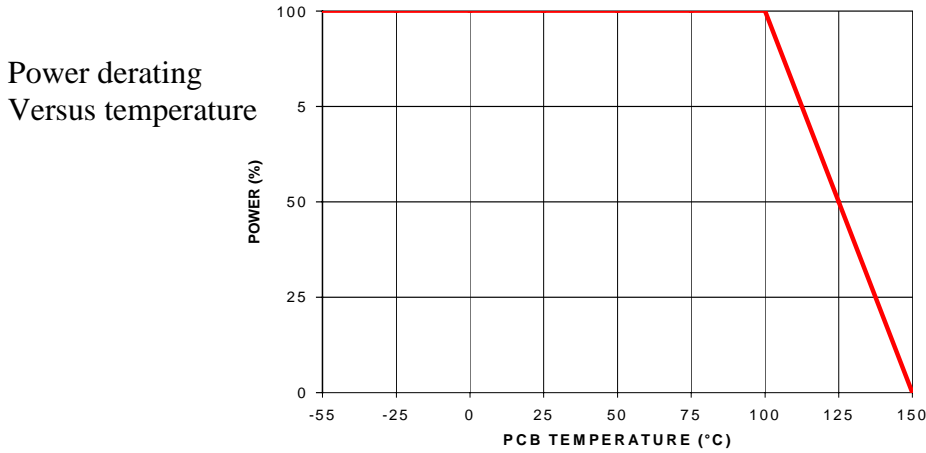
Frequency range : DC – 4.4 GHz  
 Impedance : 50 ohms ±5%  
 Average Power : 30 W

Frequency	DC – 4.4 GHz	DC – 2.2 GHz		
V.S.W.R	<= 1.25	<= 1.15		

**MECHANICAL CHARACTERISTICS**

Substrate : Al<sub>2</sub>O<sub>3</sub>  
 Resistive film type : Thick film  
 Protective coating : Epoxy  
 Solderable terminal & ground : PtAg

**OTHER CHARACTERISTICS**



**ENVIRONMENTAL**

Operating temperature range : -55°C + 150°C

**IMPORTANT NOTE FOR POWER DISSIPATION :**

10 W : when mounted on PCB 0.8mm with via holes dia 0.5mm filled with Sn96 Ag4 solder  
 30 W : when directly soldered on a metallic base plate not exceeding 100°C

Issue : 0524 A

In the effort to improve our products, we reserve the right to make changes judged to be necessary.

